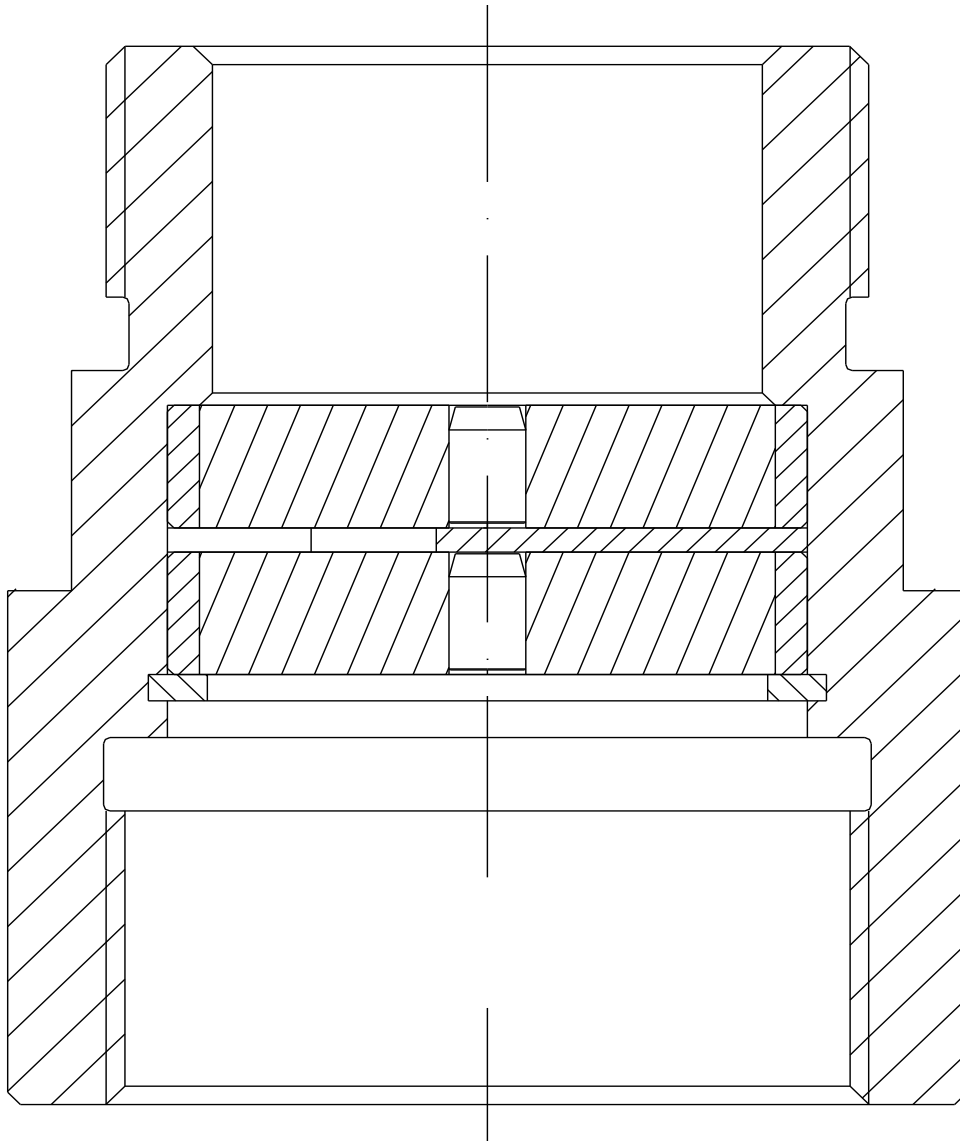


# Operating Instruction

## End of line and Inline Deflagration Flame Arrester 1008-0002



IBExU 07 ATEX 2036 X

 G IIA

 <sup>0102</sup>

## 1. Preface

This operating instruction apply to end of line and inline deflagration flame arrester 1008–0002, provided the fact that your end of line and inline deflagration flame arrester meets all technical standards described in this document.

Any information required for the assembly, use and maintenance of the protective system may be obtained from these instructions.

Please read the operating instructions on hand carefully to ensure the safe use of this protective system.

All assembly and maintenance work needs to be carried out by qualified staff.

Information provided in this document may be subject to change without prior notice.

This document or individual parts of it may not be multiplied or copied without the written consent of Flammer GmbH, irrespective of its purpose.

© 2022 by Flammer GmbH. All rights reserved.

The trade and/or used name designations, trademarks, etc., even when not specially marked, do not justify the assumption that they may be considered as fair use, as defined by trademark protection laws.

These operating instructions correspond to the current technical state of protective system 1008-0002. Changes and errors excepted.

In case of dispute, the German text shall prevail.

## 2. Symbols



Take note of the accompanying documents!  
Important instructions for safe usage

## 3. Safety regulations and safety instructions

### 3.1 Safety regulations

The following regulations and guidelines are to be observed for the use of this protective system:

- EC type examination number IBExU 07 ATEX 2036 X
- EN ISO 16852 Flame arresters
- European Directive 2014/34/EU
- National safety regulations
- National workers' protection regulations

### 3.2 Safety instructions

The following instructions are to be observed to guarantee workers protection and occupational safety:

- Safety regulations in compliance with section 3.1
- Observation of laws and provisions in force at the place of application.  
Operators and supervising staff are responsible for the fact that these provisions are observed.
- Assembly and maintenance work is to be carried out by qualified staff.

#### 4. Purpose of use

##### 4.1 End of Line deflagration flame arrester

Usage as end of line deflagration flame arrester 1008-0002 at the end of vent pipes prevents light-back at deflagration of potentially explosive vapour-air, and or gas-air mixtures of explosives group IIA1, IIA with a standard gap > 0.9 mm from outside (atmospheric conditions) to the protected side (e. g. storage tank).



#### Warning!

**Flame arresters are limited in mounting and use.**

**Pay attention to the following hints according to EN ISO 16852**

Type	DEF		Deflagration flame arrester
Lu/D	n/a		Not applicable
BC	c		Not suitable for endurance burning
EX	G IIA		Explosion group
To	60	[ °C ]	Maximum operating temperature
po	1.10	[ bar ]	Atmospheric conditions

##### 4.2 Inline deflagration flame arrester

Inline deflagration flame arrester 1008-0002 prevents light-back at deflagration of potentially explosive vapour-air, and or gas-air mixtures of explosives group IIA1, IIA at an absolute working pressure  $p_{abs} \leq 1.20$  bar in an ignition source preceding pipe with a maximum nominal diameter of  $DN = 50$  mm and a corresponding maximum length of  $L = 2500$  mm. (50\*DN)



#### Warning!

**Flame arresters are limited in mounting and use.**

**Pay attention to the following hints according to EN ISO 16852**

Type	DEF		Deflagration flame arrester
Lu/D	50		Explanation see chapter 4.1
BC	c		Not suitable for endurance burning
EX	G IIA		Explosion group
To	60	[ °C ]	Maximum operating temperature
po	1.20	[ bar ]	Maximum absolute operating pressure

#### 4.1 Special conditions for safe usage

- Max. internal pipe diameter DN between the possible ignition source and the protective system. : 50 mm
- Max. pipe length L (incl. connecting pieces) between : 2500 mm
- Max. pipe length L when connected pipe size is **smaller than DN 50** :  $50 \cdot DN$

Example :

*The allowed maximum pipe length is  $L = 50 \cdot DN = 1000 \text{ mm}$  for a connected internal pipe diameter of  $DN = 20 \text{ mm}$*

- The nominal pipe diameter on the unprotected side shall be no larger than the flame arrester connection.  
The nominal pipe diameter on the protected side shall be no less than the pipe diameter on the unprotected side.
- Pipe branches and valves on the unprotected side shall be installed as close as possible to the in-line deflagration flame arrester.
- The protective system is bi-directional, i.e. that it may be connected to either side of the system.
- The protective system may be fitted in any position.
- Combustible gases and or liquids produced during operation must pertain to explosives group IIA1, IIA with a standard gap (MESG) > 0.90 mm.
- The protective system is **not** tested and authorised for endurance burning.
- Shut off valves before and after the protective system has to be fully open during normal operation.
- For use as end of line flame arrester the protective system could be combined with following fitting without any restriction:
  - Protection covers
  - Pressure/vacuum valves
  - Apertures with bore diameter  $\geq 10 \text{ mm}$
- The Inline deflagration flame arrester may only be used, if the materials resist against the mechanical and/or chemical influences under the actual operating conditions, in such a way, that explosion protection is always guaranteed.  
This applies particularly to the flame arrester elements whose protection against flame transmission may be endangered by corrosion among others.

## 5. Technical specifications

(See figure 1)

Connection	: Thread ISO 228-1 G2" internal/external
Wrench size	: 65 mm
Pressure loss	: see fig. 2

## 6. Assembly

(See figure 1)

The deflagration flame arrester is to be fully joined to the respective connecting parts.



- Note requirements of chapter 4.
- The internal diameter of the connecting parts may not exceed the maximum permitted nominal pipe size.
- Any connection is to be sufficiently sealed with suitable media resistant sealing and checked for leakage.
- Look out for sufficient electrical grounding.
- Due to possible bimetallic corrosion (contact corrosion), we advise against use galvanized steel fittings in connection with stainless steel installations.

## 7. Maintenance

To keep flow resistance at a constantly low level, the protective system is to be checked for impurities and, if necessary cleaned, in regular intervals.

### Disassembling

Disassemble retaining ring (Pos.2) with a suitable tool and remove flame arrester elements (Pos.3) together with the distance rack (Pos.4).

Petroleum ether is often a applicable cleaning agent, although the instructions of the corresponding safety data sheet in accordance with directive 91/155/EC need to be observed.

### Assembly

After cleaning, reassemble in reverse order.



### **Note!**

- Look out for the right order of flame arrester elements (Pos.3) and the distance rack (Pos.4).
- Pay attention for the right gap width of the flame arrester element. The gap width (**Δ0.70**) is mentioned on the type label.
- For safety reason it is not permitted to increase the gaps in the flame arrester elements (e.g. to drill).

### **After a deflagration:**

- All parts (inside and outside) has to be examined and if necessary exchanged.
- In any case, flame arrester elements (pos.3) should be replaced.

## 8. Spare parts

For ordering spare parts please declare:

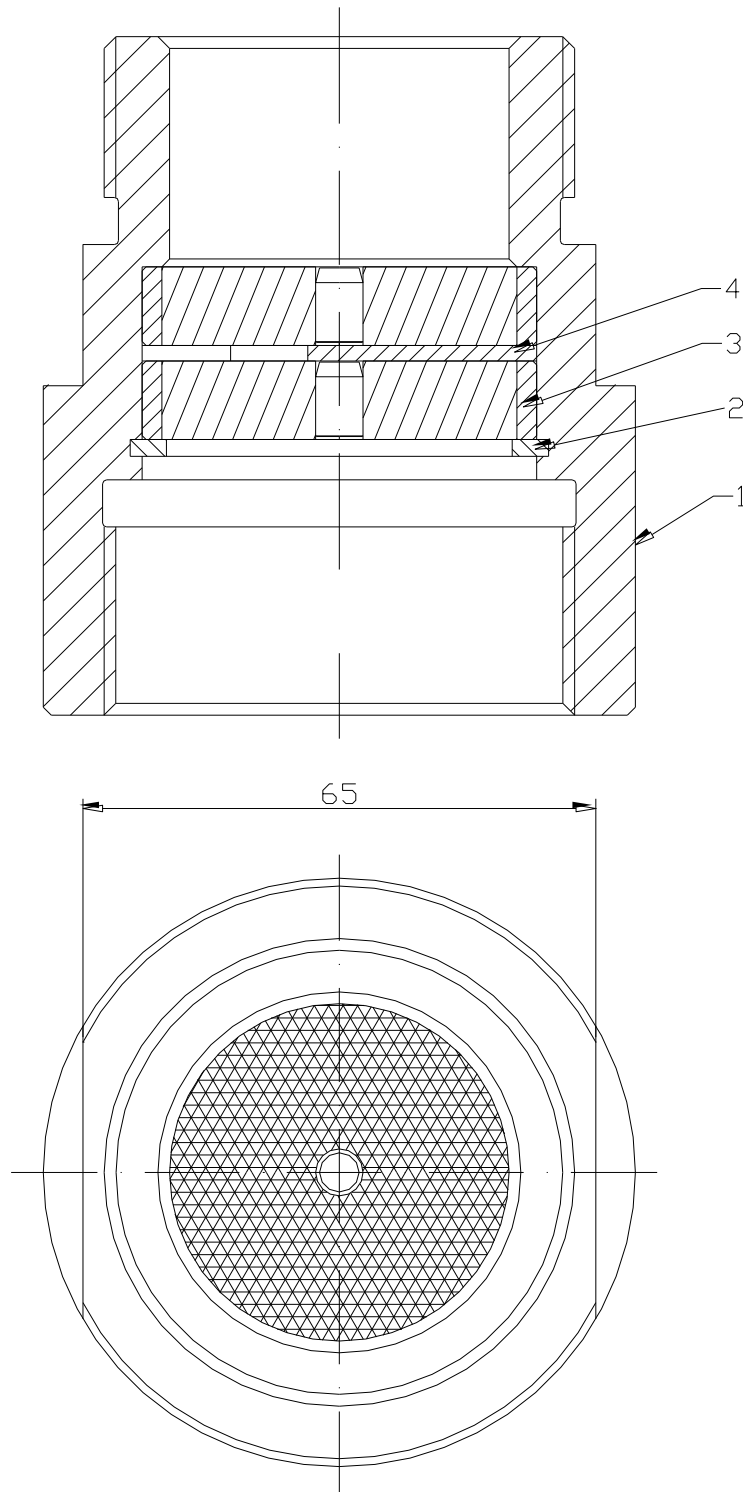
- Type of product
- Complete serial number
- Spare part no. (Please refer to **fig. 1** for items)

Item	Product	Spare part no.
2	Retaining ring	9016-0002-00
3, 4	Spare part set	8001-0005-00

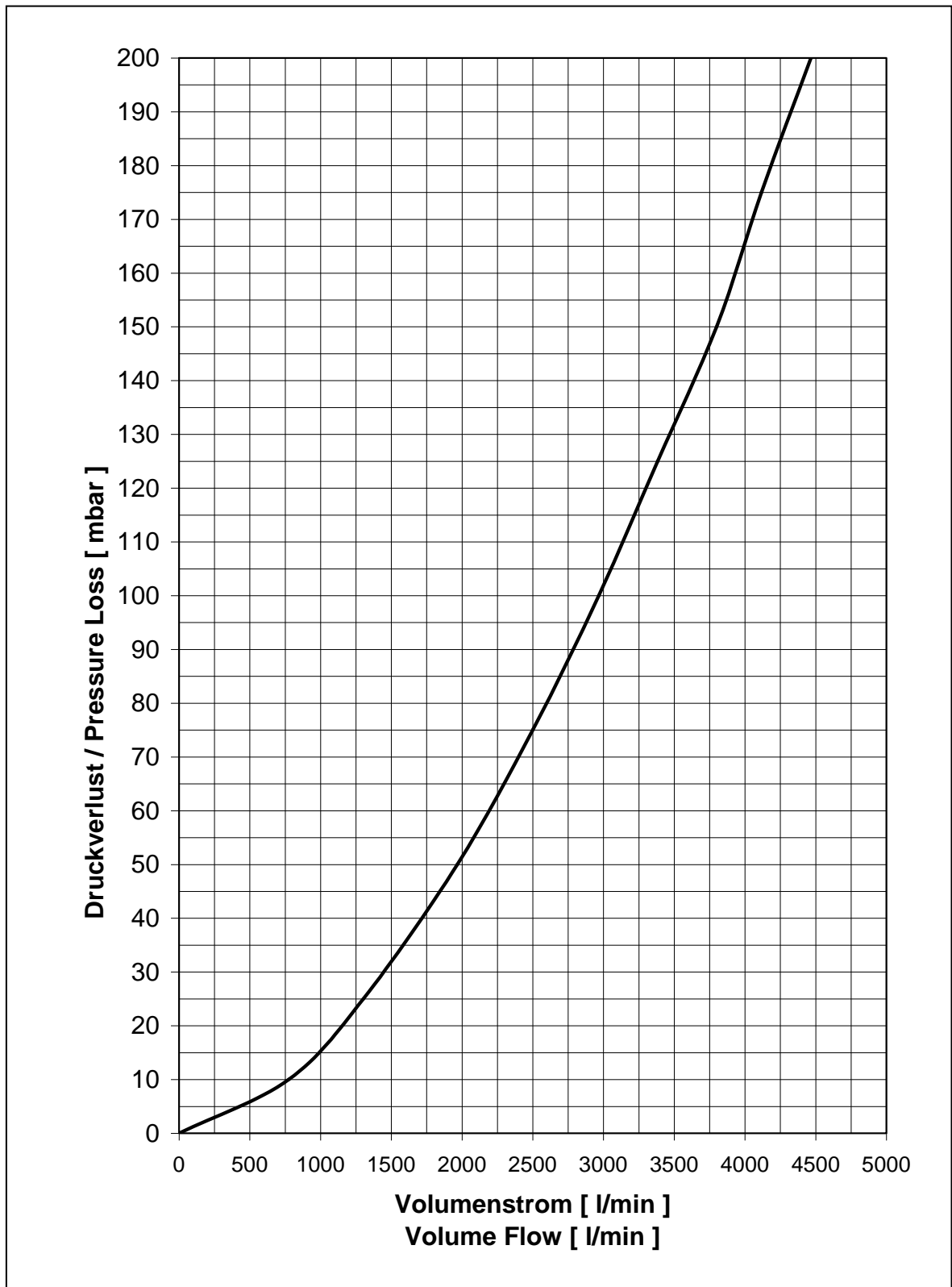
## 9. Technical Consultations

**Flammer GmbH**  
**Daimlerstr. 3**  
**D-74389 Cleebronn**

**Tel.** : ++49 / (0) 7135 / 93 84 21 0  
**Fax.** : ++49 / (0) 7135 / 93 84 21 99  
**E-mail** : [info@flammergmbh.de](mailto:info@flammergmbh.de)  
**Homepage** : [www.flammergmbh.com](http://www.flammergmbh.com)



**Fig. 1**  
Construction



**Fig. 2**

Pressure loss

Medium : Air at  $p_0 = 1013 \text{ mbar}$ ,  $T_0 = 273\text{K}$ , density =  $1,293 \text{ kg/m}^3$