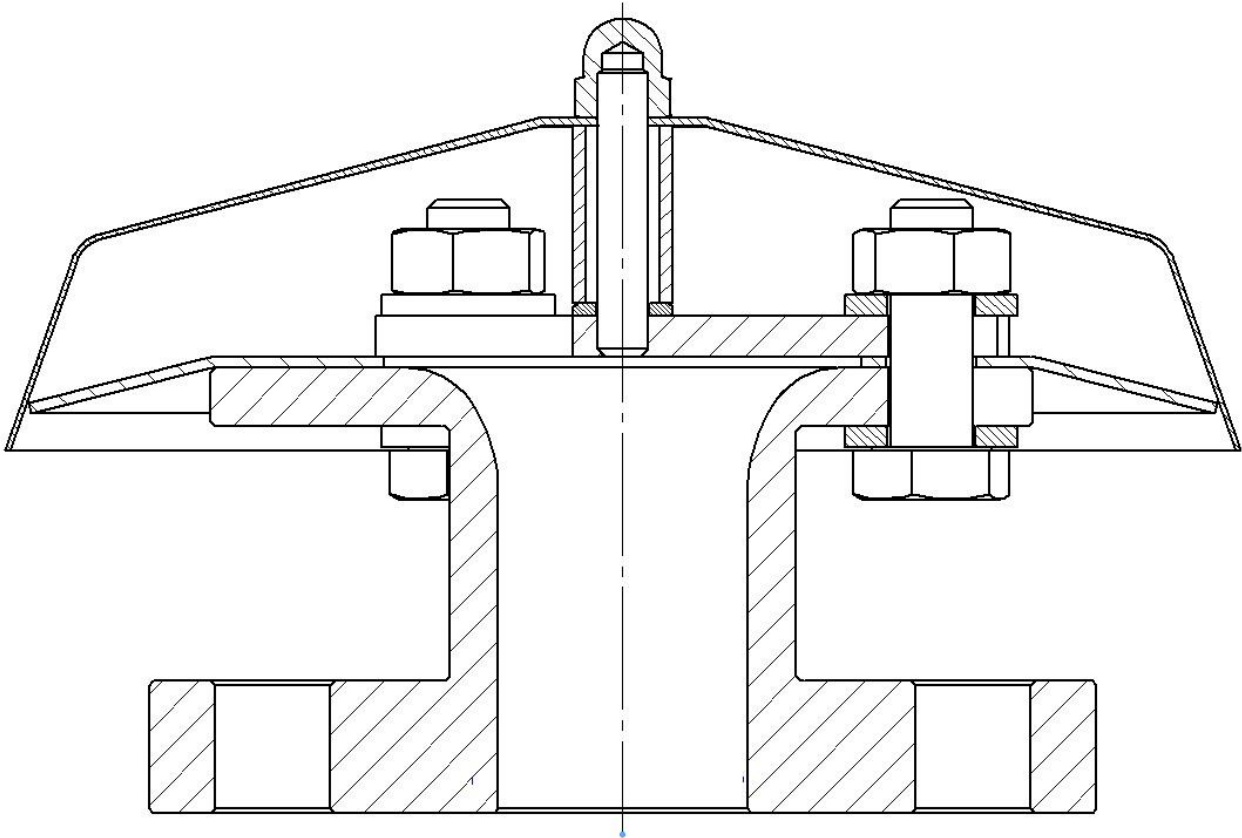


Operating Instruction

Vent Cap 1010-0007



1. Preface

This operating instruction apply to vent cap 1010–0007, provided the fact that your vent cap meets all technical standards described in this document.

Any information required for the assembly, use and maintenance of the armature may be obtained from these instructions.

Please read the operating instructions on hand carefully to ensure the safe use of this armature.

All assembly and maintenance work needs to be carried out by qualified staff.

Information provided in this document may be subject to change without prior notice.

This document or individual parts of it may not be multiplied or copied without the written consent of Flammer GmbH, irrespective of its purpose.

© 2022 by Flammer GmbH. All rights reserved.

The trade and/or used name designations, trademarks, etc., even when not specially marked, do not justify the assumption that they may be considered as fair use, as defined by trademark protection laws. Changes and errors excepted.

In case of dispute, the German text shall prevail.

2. Symbols



Take note of the accompanying documents!
Important instructions for safe usage

3. Safety regulations and safety instructions

3.1 Safety regulations

The following regulations and guidelines are to be observed for the use of this armature:

- National safety regulations
- National workers' protection regulations

3.2 Safety instructions

The following instructions are to be observed to guarantee workers protection and occupational safety:

- Safety regulations in compliance with section 3.1
- Observation of laws and provisions in force at the place of application.
Operators and supervising staff are responsible for the fact that these provisions are observed.
- Assembly and maintenance work is to be carried out by qualified staff.

4. Purpose of use

The vent cap is usable for weather protected venting at the end of vent pipes of e. g. storage tanks.

4.1 Special requirements for safe usage

- Max. internal nominal pipe diameter DN : DN25
- The armature has to be fitted in vertical position.

5. Technical specifications

(See fig.1)

Connection : Flange or internal thread on request.

Pressure loss : < 2 mbar up to 1800 l/min

(Medium air, $p_0 = 1013$ mbar, $T_0 = 273$ K, $\rho_0 = 1,293$ kg/m³)

6. Assembly

(See figure 1)

The armature is to be fully joined to the respective connecting parts.



- Note requirements of chapter 4.
- The internal diameter of the connecting parts may not exceed the maximum permitted nominal pipe size.
- Any connection is to be sufficiently sealed with suitable media resistant sealing and checked for leakage.
- Look out for sufficient electrical grounding.
- Due to possible bimetallic corrosion (contact corrosion), we advise against use galvanized steel fittings in connection with stainless steel installations.

7. Maintenance

To keep flow resistance at a constantly low level, the armature is to be checked for impurities and, if necessary cleaned, in regular intervals.

Disassembling

Unscrew nut (6) to remove rain cover (5). Take off the bug screen (11) together with rack (10) for cleaning, after disassembling screws (2), nuts (4) and washers (3). Petroleum ether is often a applicable cleaning agent, although the instructions of the corresponding safety data sheet in accordance with directive 91/155/EC need to be observed.

Assembly

After cleaning, reassemble in reverse order.

Tightening moment for screw M10 (2, 4) : 40 ± 2 Nm

8. Spare parts

For ordering spare parts please declare:

- Type of product
- Complete serial number
- Spare part no. (Please refer to **fig. 1** for items)

Item	Product	Spare part no.
5	Rain cover	3017-0003-00
11	Bug screen	3018-0001-00

9. Technical Consultations

Flammer GmbH
Daimlerstr. 3
D-74389 Cleebronn

Tel. : ++49 / (0) 7135 / 93 84 21 0
Fax. : ++49 / (0) 7135 / 93 84 21 99
E-mail : info@flammergmbh.de
Homepage : www.flammergmbh.com

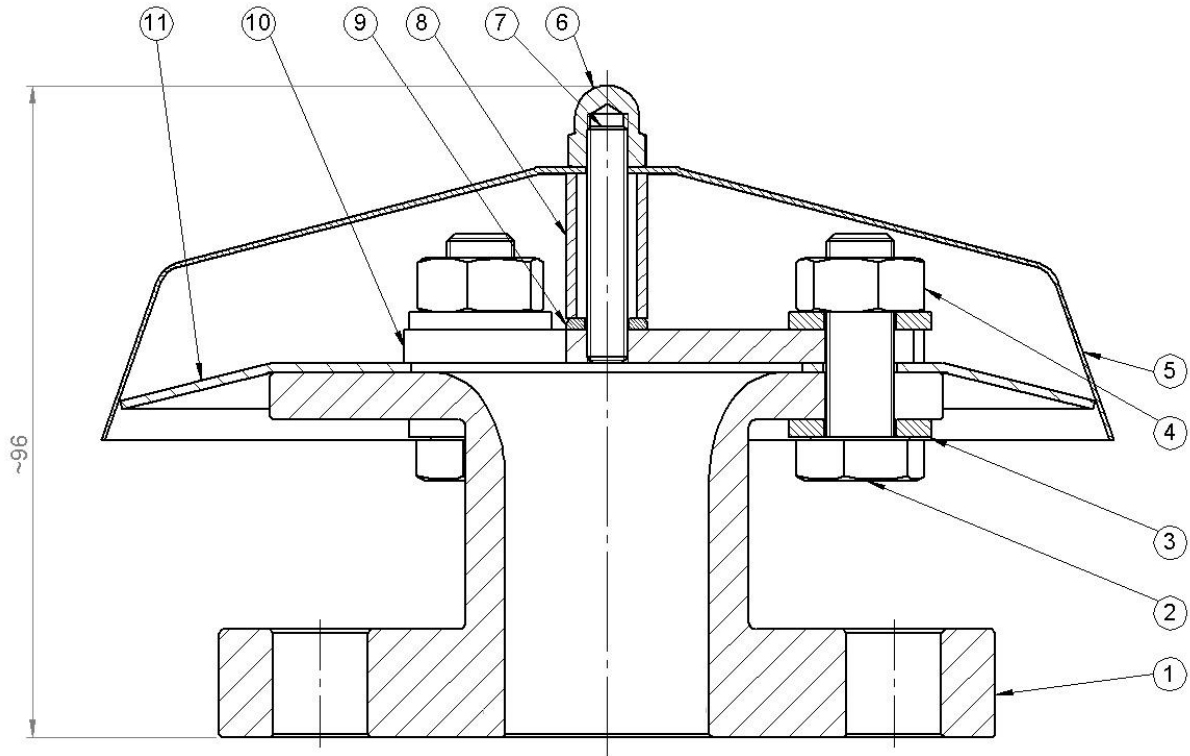


Fig. 1
Construction