

Inline Detonation Flame Arrester

EC design test certificate no.

Standard gap (MESG)

Explosion group

Operating direction

Flange connection

Weight

: 1002-0025-40

: IBExU 21 ATEX 2109 X

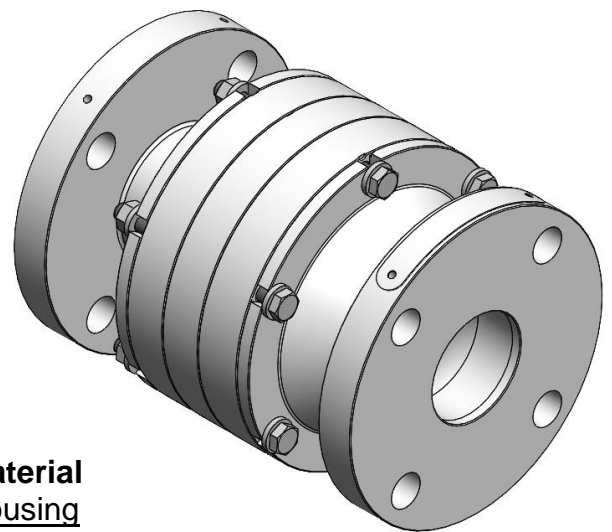
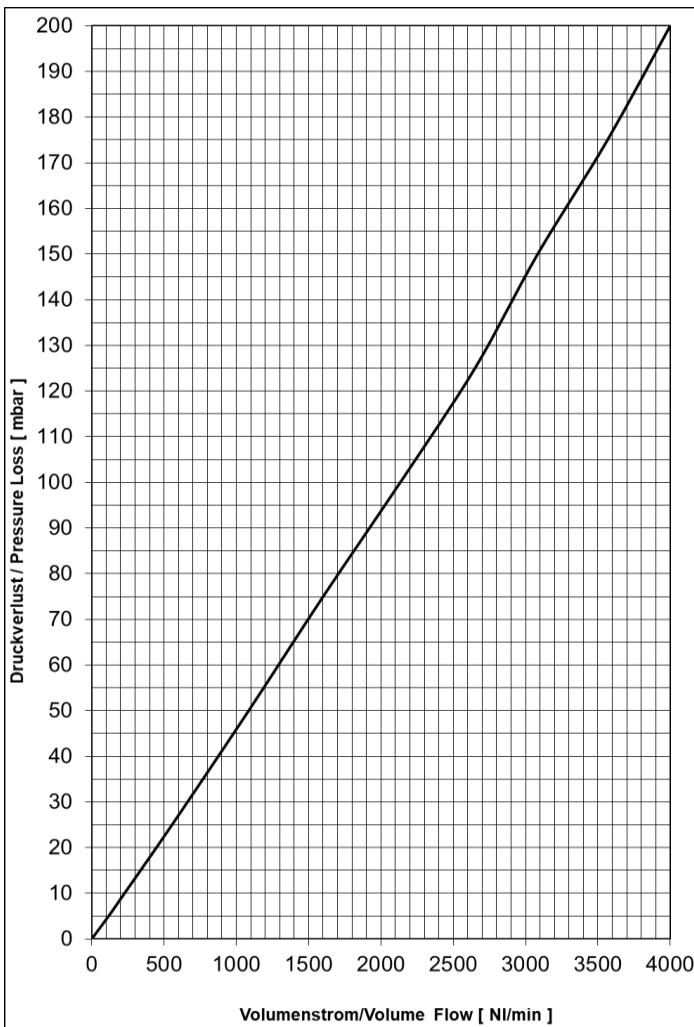
: < 0,50 mm

: G IIC

: Bidirektional / Bi-directional

: EN1092-1 (DIN2576) Typ01 PN10/40

: ~ 15,7 kg



Material

Housing

V4A/AISI 316 range

Flame Arrester Element

V4A/AISI 316 range

O-Ring

PTFE

Operating Data

Type : DET 4

Absolute pressure : ≤ 1,2 bar

Temperature : ≤ 60,0 °C

Nominal pipe size : ≤ DN40

Pressure loss

Medium Air

$p_0 = 1013 \text{ mbar}$, $T_0 = 273\text{K}$, density = 1,293 kg/m³